

# Hexagon Pull-Up Station Pro



FSW217

**KOMPAN**  
Let's play



Item no. FSW21701-0900

## General Product Information

|                  |   |
|------------------|---|
| Dimensions LxWxH | 10'5"x9'1"x7'10"  |
| Age group        | 13+   |
| Capacity (users) | 5   |
| Color options    |   |



See KOMPAN Fit app for more



The hexagon pull up can be used in many ways and by multiple users at the same time. Exercises range from normal pull ups to the most dynamic and advanced exercises such as the Muscle Up. The Pull Up Bars are made from solid steel and have a diameter 1 ¼", an ideal size for both men and women to have a good grip. As the highest bar is connected at an

height of 7'8" everyone will be able to hang freely, to make sure that everyone can reach the pull up bars we added 2 stepping pods at different heights.



# Hexagon Pull-Up Station Pro

FSW217



Post are made of 101.6 x 2mm, pre-galvanized carbon steel and powder coated, a great protection to all conditions.



The connectors are made of die-cast aluminium, specially alloyed for the outdoor environments and heavy usage. The screws attaching the connectors are stainless steel and protected by zinc washers.



All bars intended for pull ups are made of solid, ø32mm x 138 m, hot dip galvanized, S235JR steel bars. This diameter gives the right grip for everyone.



All KOMPAN fitness products are compliant with the ASTM F3101 & EN16630 Outdoor Fitness Standards. Load tests are performed as a static test by adding dynamic factors as well as safety factors to the specified load of 78kg per user. A product intended for 1 user is loaded with 420kg.



The information sign is made of a PA6 (Polyamide) and shows the most relevant exercise and a QR code. When scanned the QR code will link to an animated illustration of the exercise and offers the possibility of downloading the KOMPAN sport & fitness App, which will provide a large amount of exercises and workouts.



Steps are made of extruded aluminium with a non-skid surface. Aluminium has high corrosion resistance and ensures durability of the product. Steps have been mounted at heights of 34,7cm and 54,7cm this creates an easy access to reach the overhead activity

Item no. FSW21701-0900

### Installation Information

|                                 |  |
|---------------------------------|--|
| Max. fall height                | 7'8"   |
| Safety surfacing area           | 227 ft2  |
| Numbers of installers (persons) | 2  |
| Total installation time         | 4.4  |
| Excavation volume               | 0.22 yd3   |
| Concrete volume                 | 0.10 yd3   |
| Footing depth (standard)        | 2'11"  |
| Shipment weight                 | 462 lbs  |
| Anchoring options               | In-ground <input checked="" type="checkbox"/><br>Surface <input checked="" type="checkbox"/> |

### Warranty Information

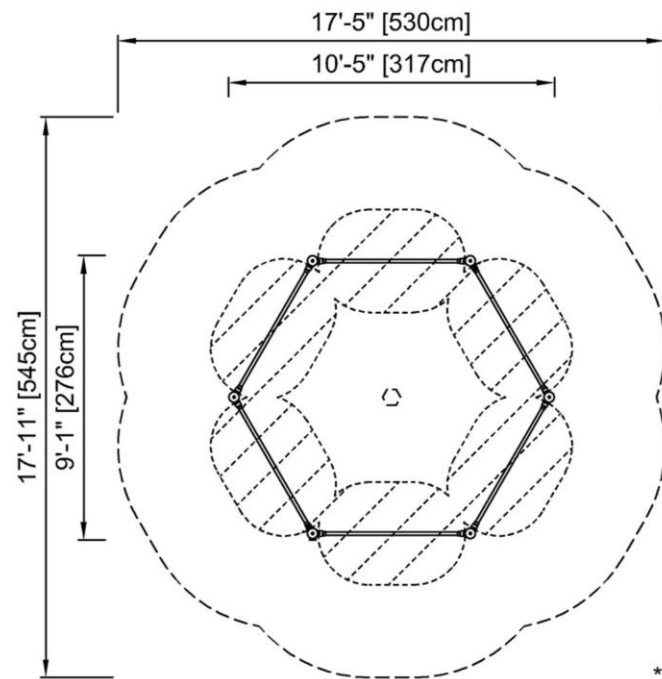
|                        |          |
|------------------------|----------|
| Post                   | 10 years |
| HDG structural parts   | Lifetime |
| Connectors             | 10 years |
| Spare parts guaranteed | 10 years |

# Hexagon Pull-Up Station Pro

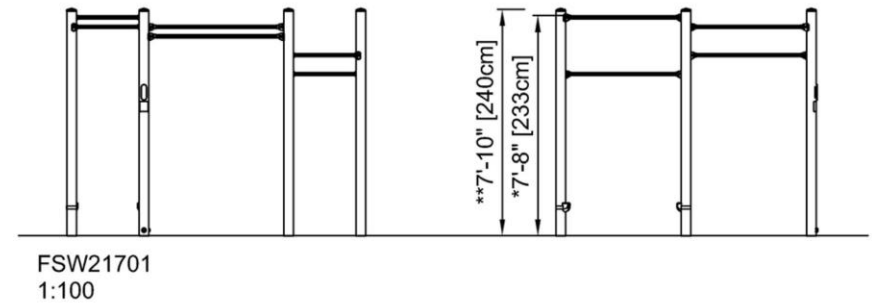
FSW217

\* Max fall height | \*\* Total height | \*\*\* Safety surfacing area

\* Max fall height | \*\* Total height



FSW21701  
\* 7'-8" / 233cm  
\*\* 7'-10" / 240cm  
\*\*\*227.1ft<sup>2</sup> / 21.1m<sup>2</sup>



[Click to see 1:100 ratio TOP VIEW](#)