

MUGA, 43 x 85 ft, WPC, 3 ft Walls

FRE600803

KOMPAN
Let's play



Item no. FRE600803-0902

General Product Information

Dimensions LxWxH	85'9"x43'5"x12'1"
Age group	3+
Capacity (users)	-
Color options	-



Wood Plastic Composite (WPC) has the same texture and looks as wood, is maintenance-free and environmentally friendly. WPC fits perfectly into a natural environment. The fully flat inside gives the best bounce experience when playing. The flat wall becomes a part of the game and adds a new dimension to it, a dimension that can challenge and develop

players' tactical vision of the game. The 9'10" x 6'7" Multi Goal follows the goal size of FIFA Futsal and IHF Handball regulations. The basketball hoop is placed at the official NBA height of 10 feet, and has the official NBA size of 18 inches in diameter.



MUGA, 43 x 85 ft, WPC, 3 ft Walls

FRE600803



The Wood Plastic Composite panels are made of 100% recycled fibre/wood powder and High Density Poly Ethylene (HDPE). With the dimensions of 860 x 110 x 30mm the boards are extremely strong.



The hinges on the entrance gate are 16mm and made of Stainless Steel, the handle can be accessed from both inside and outside of the pitch but is constructed in such a way that it remains fully flat on the inside of the MUGA.



The posts are made of 80 x 80 x 3mm profile with horizontally, 6mm welded flanges. This will enable an easy installation and strong construction. The low-density polyethylene post caps are attached with blind rivets.

Item no. FRE600803-0902	
Installation Information	
Max. fall height	0"
Safety surfacing area	0 ft2
Numbers of installers (persons)	2
Total installation time	50.4
Excavation volume	2.79 yd3
Concrete volume	1.86 yd3
Footing depth (standard)	2'9"
Shipment weight	6,432 lbs
Anchoring options	In-ground <input checked="" type="checkbox"/> Surface <input checked="" type="checkbox"/>
Warranty Information	
HDG post	Lifetime
EcoCore HDPE	Lifetime
Spare parts guaranteed	10 years



Each panel has 4 Thermoplastic Vulcanizates plugs connecting the panels to the posts. The plugs reduce the vibration and therefore reduce the noise level. The plugs will also simplify installation as they come with pre-assembled nuts.



The wheelchair entrance is constructed of 80 x 80 x 3mm post with Ø 48mm tube and 2 stainless steel 16mm hinges. The opening is 95cm wide and 112cm long, this will allow people in a wheelchair to enter the MUGA but stops mopeds and motors.



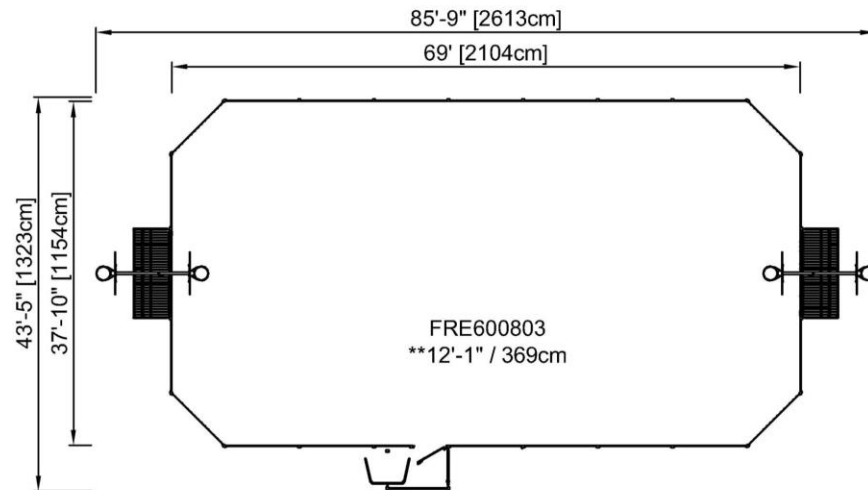
The WPC boards are attached to 70 x 45 x 3mm welded flanges with stainless steel M8 bolts, nuts and washers. These connections are not visible from the inside and create a strong and safe connection.

MUGA, 43 x 85 ft, WPC, 3 ft Walls

FRE600803

* Max fall height | ** Total height | *** Safety surfacing area

* Max fall height | ** Total height



[Click to see 1:100 ratio TOP VIEW](#)