

# Surprise Basket

FRE3024



Item no.	
General Product Information	
Dimensions LxWxH	3'4"x3'4"x10'0"
Age group	3+
Capacity (users)	-
Color options	



# Surprise Basket

FRE3024



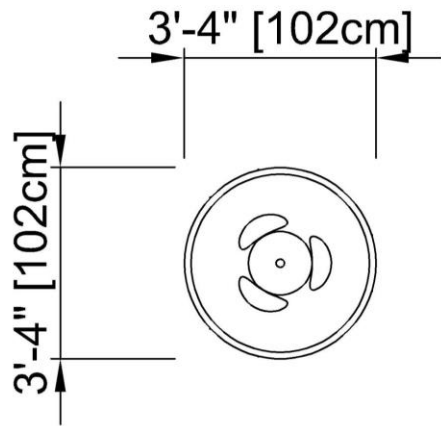
Item no.	
<b>Installation Information</b>	
Max. fall height	0"
Safety surfacing area	0 ft <sup>2</sup>
Numbers of installers (persons)	2
Total installation time	
Excavation volume	
Concrete volume	
Footing depth (standard)	
Shipment weight	
Anchoring options	In-ground ✓
<b>Warranty Information</b>	

# Surprise Basket

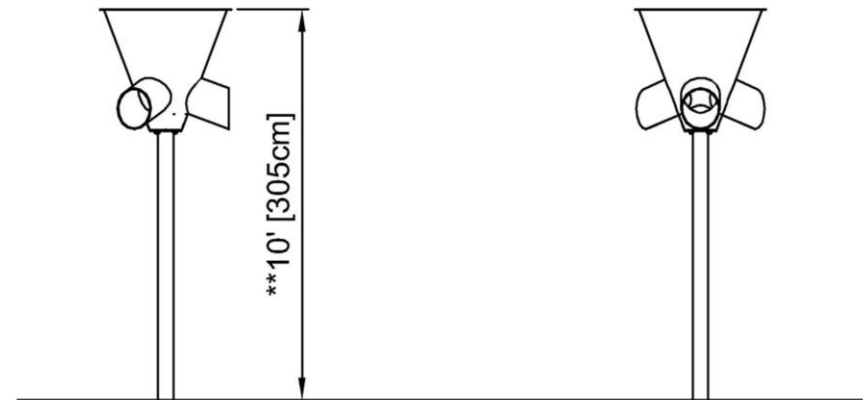
FRE3024

\* Max fall height | \*\* Total height | \*\*\* Safety surfacing area

\* Max fall height | \*\* Total height



FRE3024  
\*\* 10'-0" / 305cm



FRE3024  
1:100

[Click to see 1:100 ratio TOP VIEW](#)