



# Step, 40cm

FAZ30200



Item no. FAZ30200-0900

### General Product Information

Dimensions LxWxH	2'0"x1'4"x1'3"
Age group	13+
Capacity (users)	1
Color options	 



See KOMPAN Fit app for more



The step is one of the most simple yet highly versatile training tools, so many exercises can be done with it, from simple step ups to plyometric jumps. Regular sessions will provide both cardiovascular and muscular endurance. Incorporating upper and lower body movements will improve balance and agility, and the constant push up onto the step will increase leg

strength.



# Step, 40cm

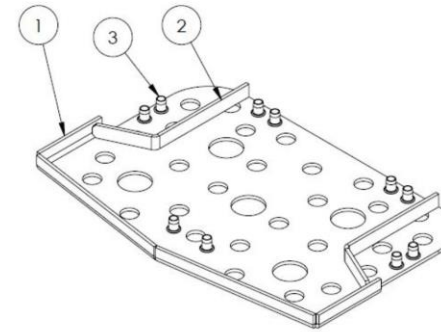
FAZ30200



The support frame is  $\varnothing 48.3 \times 4$  mm, carbon steel, with a hot-dip galvanized surface according to ISO1461, and a powder coating corrosion class C3 according to ISO12944-2. Lead content for surfaces are below 90ppm.



The surface is produced of recycled SBR (Styrene Butadiene Monomer, Synthetic Rubber) for optimal grip during jumping and step on step off exercises under all weather circumstances.



A 5 mm hot-dip galvanized carbon steel plate must be molded inside the SBR to offer optimal stability and optimize the mounting of the step to the frame.

Item no. FAZ30200-0900

### Installation Information

Max. fall height	1'3"
Safety surfacing area	85 ft <sup>2</sup>
Numbers of installers (persons)	1
Total installation time	1.7
Excavation volume	0.17 yd <sup>3</sup>
Concrete volume	0.09 yd <sup>3</sup>
Footing depth (standard)	2'11"
Shipment weight	104 lbs
Anchoring options	In-ground <input checked="" type="checkbox"/> Surface <input checked="" type="checkbox"/>

### Warranty Information

SBR rubber	2 years
Frame	10 years
Spare parts guaranteed	10 years



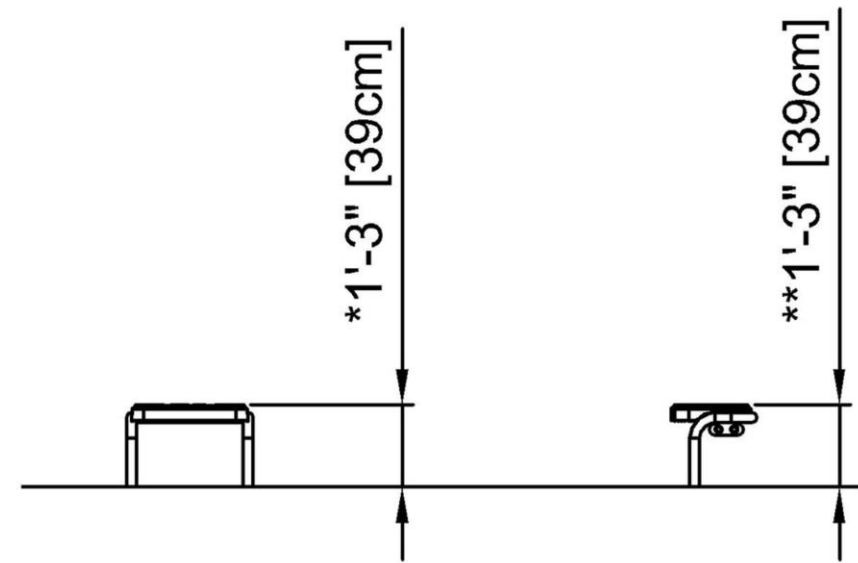
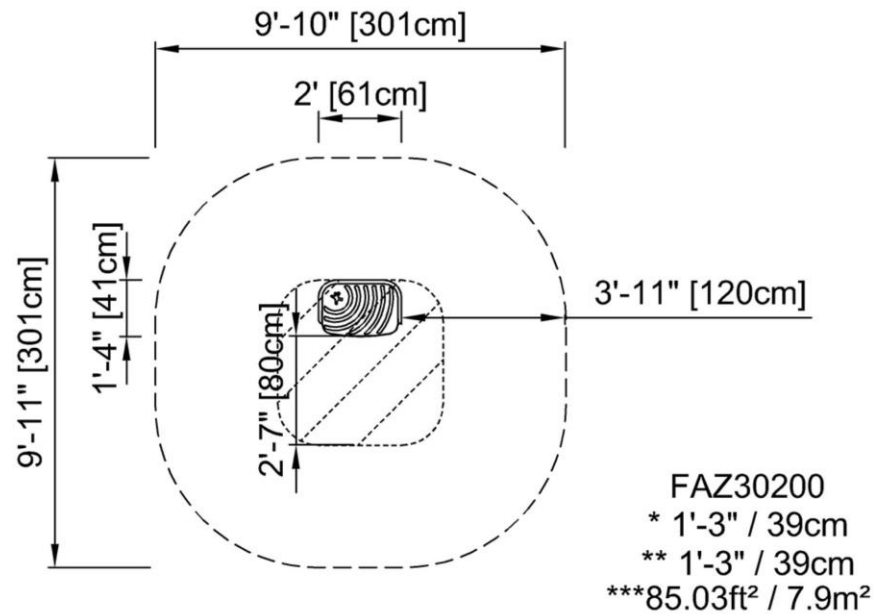
All KOMPAN fitness products are compliant with the ASTM F3101 & EN16630 Outdoor Fitness Standards. Load tests are performed as a static test by adding dynamic factors as well as safety factors to the specified load of 78kg per user. A product intended for 1 user is loaded with 420kg.

# Step, 40cm

FAZ30200

\* Max fall height | \*\* Total height | \*\*\* Safety surfacing area

\* Max fall height | \*\* Total height



FAZ30200-xx00  
1:100

[Click to see 1:100 ratio TOP VIEW](#)